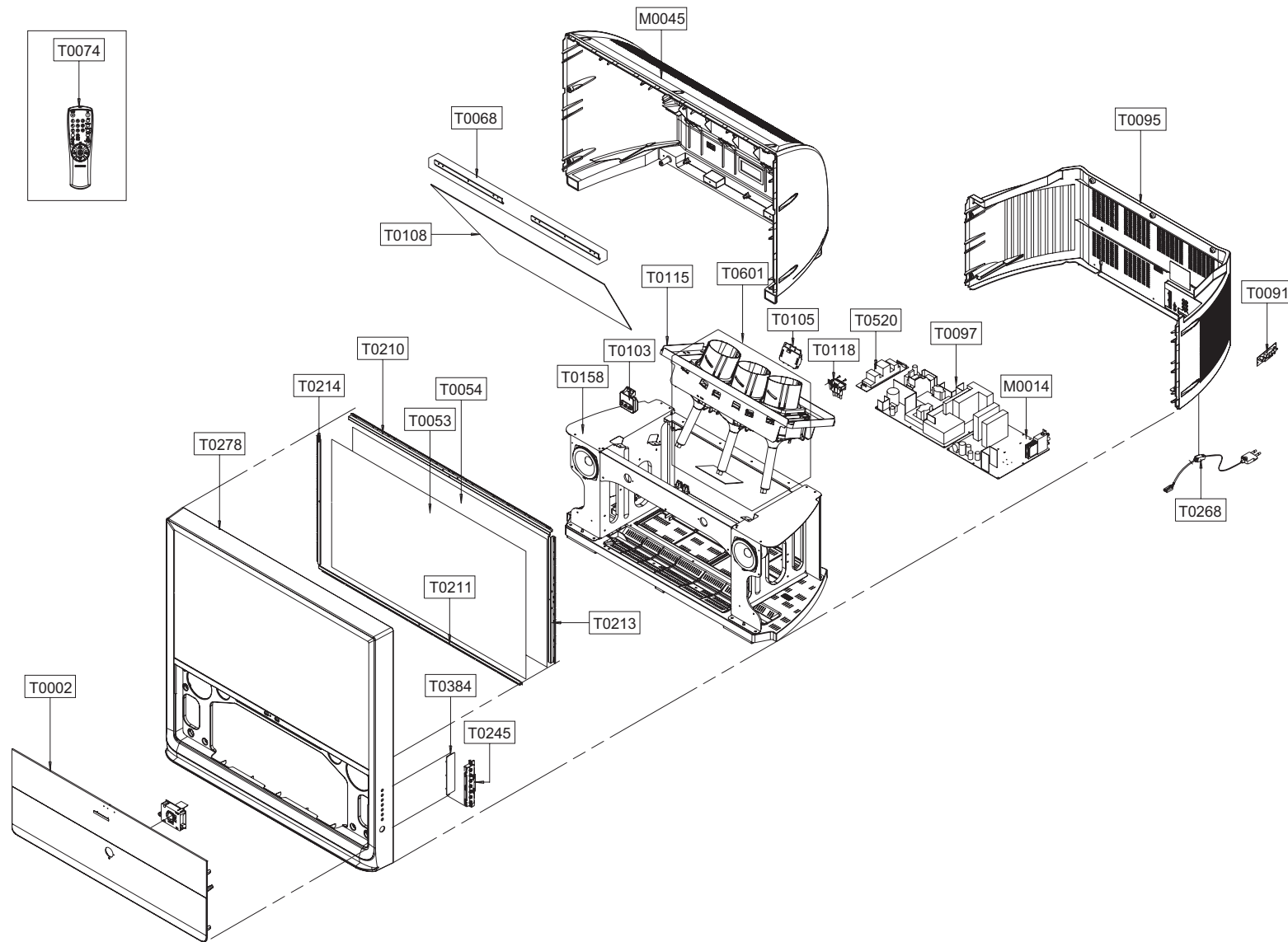


4. Exploded View & Part List

4-1 PT4250AX/SMS



Loc.No.	Code No.	Description;Specification	Q'ty	S.N.A
M0014	BP94-00689F	ASSY PCB MAIN;USA(120V),P62A,Q2	1	
M0045	BP64-00335A	CABINET BACK-TOP;42Q2,HIPS,HB,GR503	1	
T0002	BP96-00671A	ASSY COVER P-FRONT BOTTOM;42Q3,HIPS,V0,G	1	S.N.A
T0053	AA67-00193B	SCREEN FRESNEL;42W,MBS,960*552,2	1	
T0054	BP67-00104A	SCREEN LENTI;42W,PMMA,958*550,0.76	1	
T0068	BP61-00008A	BRACKET-MIRROR,ASSY;42W5,SECC,T1.0,AA61-	2	S.N.A
T0074	BP59-00089A	REMOCON;PT4250A,TM65A,205*50*30,Zilog 52	1	
T0091	BP94-01538A	ASSY PCB MISC-A/V SIDE;HCR4245WX/XAA,P62	1	
T0095	BP64-00408A	CABINET BACK-BOTTOM;42Q2,HIPS,V0,GR503	1	
T0097	BP94-01258A	ASSY PCB MISC-PWR DEF;BENHUR,BP94-01541A	1	
T0103	BP59-00045A	MODULE-FOCUS PACK ASS'Y;SVP-43W6HE,F301-	1	
T0105	BP94-00567A	ASSY PCB MISC-DY JACK;SVP-43W6,CHAMP	1	
T0108	BP67-00082B	MIRROR-BACK;SSM,GLASS,823*628*416,3,42Q2	1	
T0115	AA61-00475B	BRACKET-CRT,MAIN;54",SECC,T1.6,-,-,-	1	
T0118	BP26-00004A	TRANS FBT-H/V DISTRIBUTOR;FUW50A002B/FFA	1	
T0158	BP96-00453C	ASSY COVER P-MAIN;42Q2(P62A),MOLD+METAL,	1	
T0210	BP61-00117B	BRACKET-SCREEN,ASSY(TOP);42W5,SECC,T1.0,	1	S.N.A
T0211	BP61-00119B	BRACKET-SCREEN,ASSY(BOT);42W5,SECC,T1.0,	1	S.N.A
T0213	BP61-00120B	BRACKET-SCREEN ASSY(R);42Q2,SECC,T1.0,SC	1	S.N.A
T0214	BP61-00122B	BRACKET-SCREEN ASSY(L);42Q2,SECC,T1.0,SC	1	S.N.A
T0245	BP94-01393A	ASSY PCB MISC-KEY CONTROL;HCR4241WX/XAC,	1	S.N.A
T0268	AA39-10007Y	CBF-POWER CORD;-EP2/YES,SPT-2 18AWGx2C,	1	
T0278	BP64-00333J	MASK-FRONT;42Q2,HIPS,HB,GR503,SV704P,AKA	1	S.N.A
T0384	BP94-01327A	ASSY PCB MISC-PWR CONTROL;PT4299HDX/SMS,	1	
T0520	BP94-01539A	ASSY PCB MISC-LINE FILTER;HCR4245WX/XAA,	1	S.N.A
T0601	BP91-01654A	ASSY PRT;HCP4241WX/XAA,P60A	1	S.N.A